

Crometta
Showerpipe without Shower Components
 Surface: **chrome** Part no. : **04868000**



Description

Features

- Min. operating pressure: 1 bar
- Max. operating pressure: 10 bar
- Height-adjustable hand shower holder
- Integrated volume control/diverter for 2 functions
- Outlets may not be operated simultaneously
- Exposed installation
- Thermostatic cartridge
- Does not include: Showerhead, hand shower
- 2 functions

Item details

List Price \$ 681.00

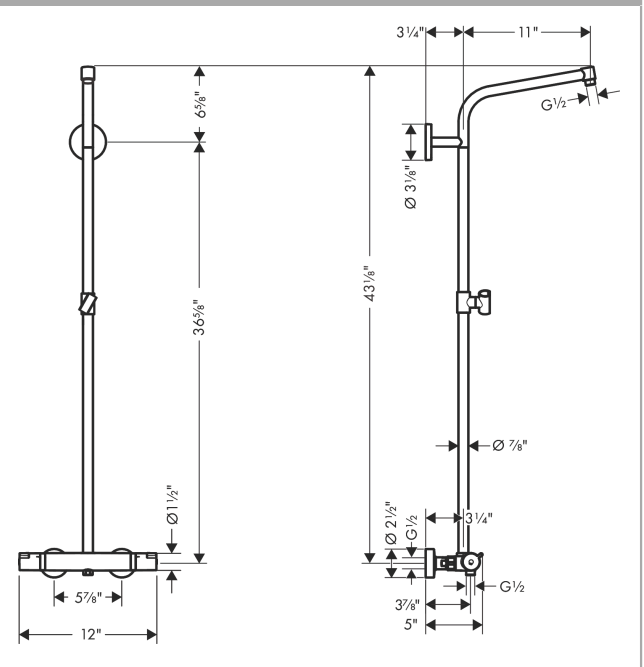
Compliance



Product image



Scale drawing

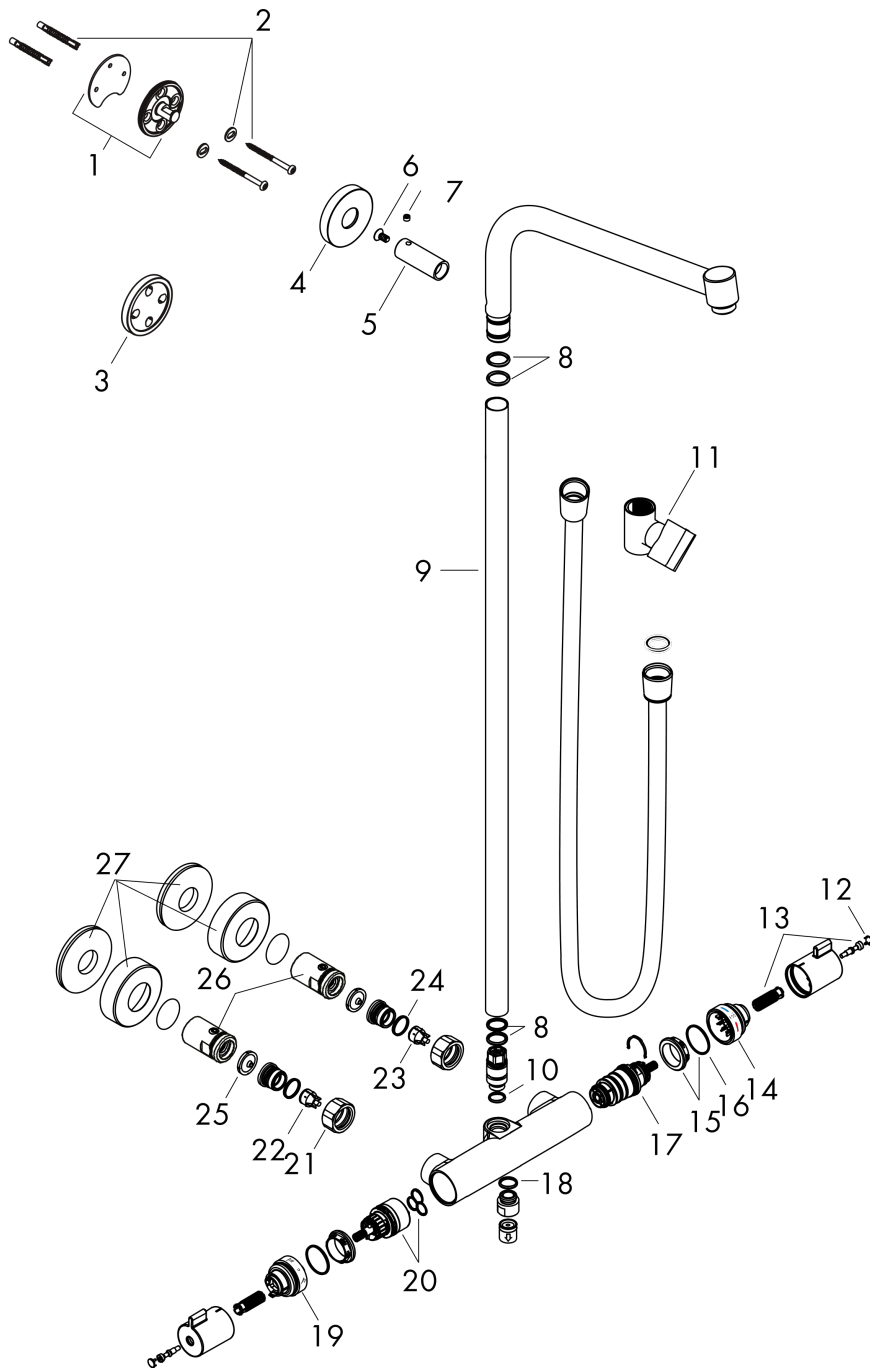


Crometta
Showerpipe without Shower Components
 Surface: **chrome** Part no. : **04868000**



Exploded drawing

Year of production: >01/20



Crometta
Showerpipe without Shower Components
 Surface: **chrome** Part no. : **04868000**



Spare parts list

Year of production: >01/20

Pos.	Description	Part no.	Price	PU
1	wall flange	95688000	-	1
2	mounting set	96179000	-	1
3	tile-matching-disk 7 mm	95239000	-	1
4	escutcheon Ø 60 mm	95692000	-	1
5	sleeve	92166000	-	1
6	screw	92137000	-	1
7	hollow set screw M6x5	98447000	-	1
8	O-ring 15x2,5	98131000	-	1
9	pipe 900 mm	92400000	-	1
10	O-ring 12x2,25	98382000	-	1
11	support, assy	97651000	-	1
12	cover cap	95433000	-	1
13	handle fixing set	95843001	-	1
14	safety set for temperature control	95839001	-	1
15	nut	98913000	-	1
16	O-ring 26x1,5	98390000	-	1
17	thermostat cartridge	98282000	-	1
18	O-ring 14x2	98129000	-	1
19	stop ring for flow control	95927000	-	1
20	shut off unit with selector	98283000	-	1
21	set of nuts	96157000	-	1
22	non return valve (pressure-resistant up to 2 MPa)	93136000	-	1
23	non return valve	96737000	-	1
24	O-ring 17x1,5	98137000	-	1
25	filter packing	96922000	-	1
26	isolation valve	98341000	-	1
27	escutcheon	98340000	-	1